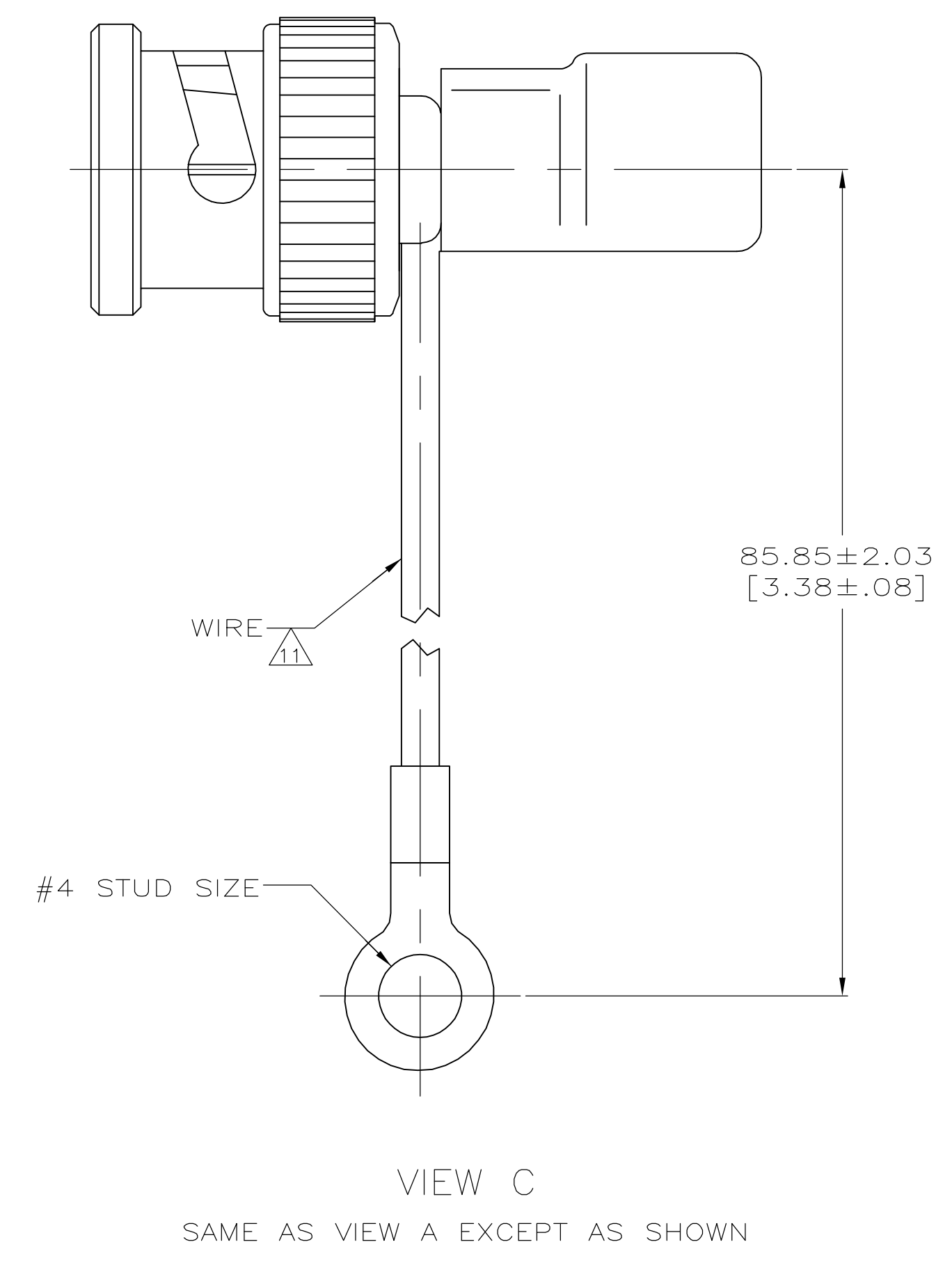
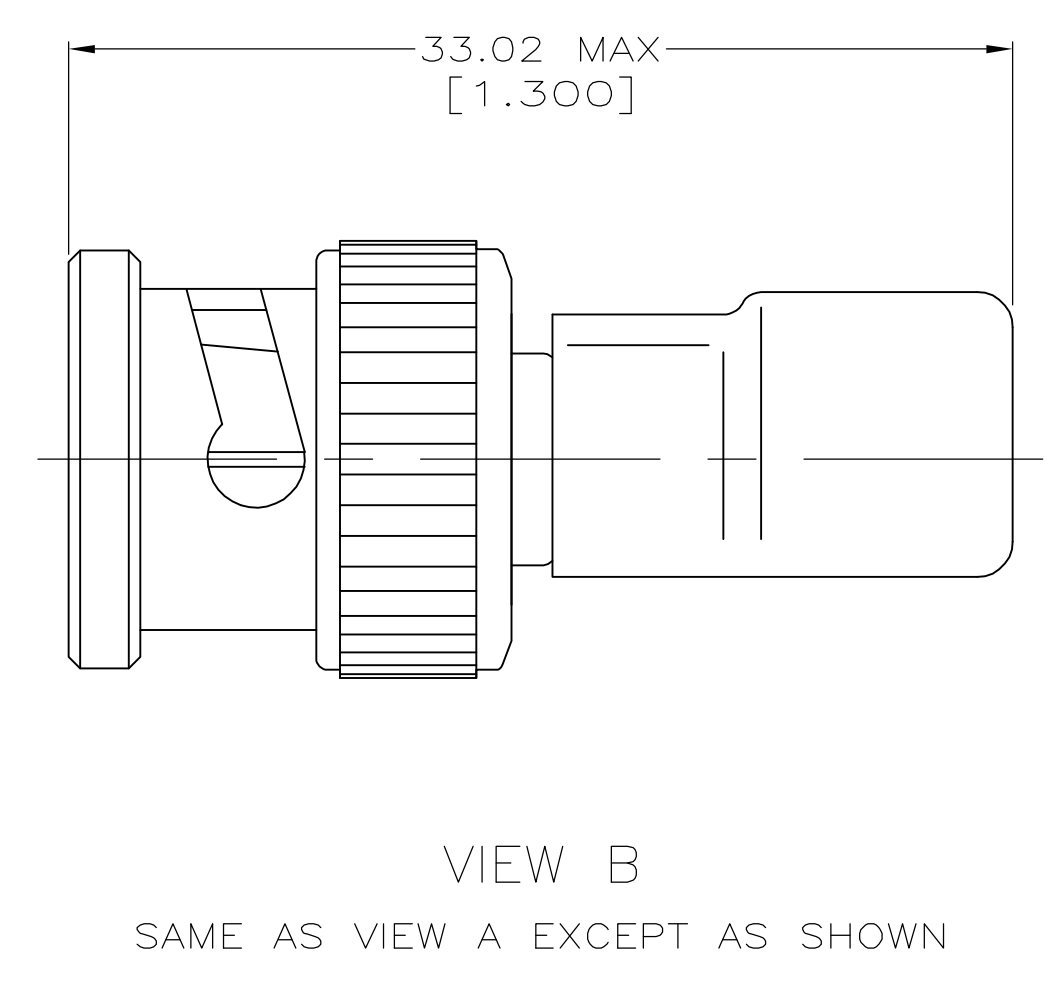
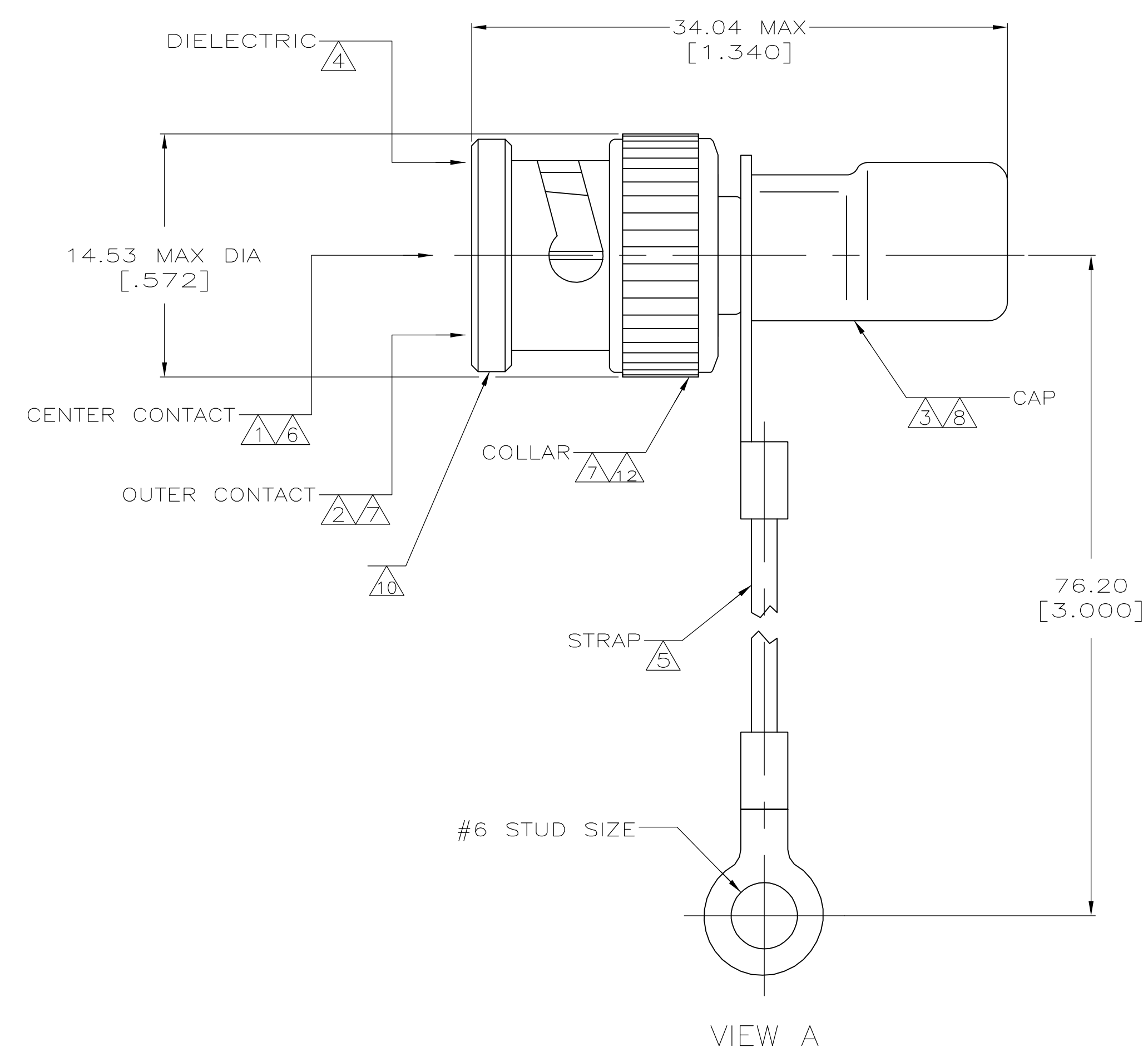


| LOC | DIST | REVISIONS | | | |
|-----|------|-------------|-----------|-----|------|
| P | LTR | DESCRIPTION | DATE | DWN | APPR |
| 0 | | RELEASED. | 13DEC2005 | JGH | JL |



- 1 BRASS PER ASTM B 16.
- 2 BRASS PER ASTM B 36.
- 3 COPPER PER ASTM B 152.
- 4 POLYETHYLENE PER LP-390.
- 5 POLYESTER PER MIL-T-43435, COLOR NATURAL.
- 6 GOLD PLATE PER ASTM B 488, 0.76 μm [.000030] MINIMUM THICK.
- 7 NICKEL PLATE PER QQ-N-290, 1.27 μm [.000050] MINIMUM THICK.
- 8 TIN PLATE PER ASTM B 545, 2.54 μm [.000100] MINIMUM THICK.
- 9 TIN PLATE PER ASTM B 545, 3.81 μm [.000150] MINIMUM THICK.
- 10 VALUE MARKED ON CONNECTOR BODY AS SHOWN (SEE TABLE).
- 11 16 GAUGE INSULATED GROUND WIRE.
- 12 ZINC PER ASTM B 86.

| QTY | TOL | RES | WATT | VIEW | PART NUMBER |
|-----|-----|-----|--------|------|-------------|
| 1 | 1% | 50 | 50Ω 1W | C | 1-5221629-6 |
| 1 | 1% | 50 | 50Ω 1W | B | 5221629-9 |
| 1 | 1% | 93 | 93Ω 1W | B | 5221629-6 |
| 1 | 1% | 75 | 75Ω 1W | B | 5221629-5 |
| 1 | 1% | 50 | 50Ω 1W | B | 5221629-4 |
| 1 | 1% | 75 | 75Ω 1W | A | 5221629-2 |
| 1 | 1% | 50 | 50Ω 1W | A | 5221629-1 |

THIS DRAWING IS A CONTROLLED DOCUMENT.

| | | | | | | | |
|-------------------------|--|---------------------------|---------------------------|-----------------------------|------------------|---------------------|---|
| DIMENSIONS: mm [INCHES] | TOLERANCES UNLESS OTHERWISE SPECIFIED: | DWN: J. HAVENER 13DEC2005 | chk: J. LIPPERT 13DEC2005 | APPRO: J. LIPPERT 13DEC2005 | NAME: J. LIPPERT | tyco Electronics | Tyco Electronics Corporation Harrisburg, PA 17105-3608 |
| 0 PLC ± - | 1 PLC ± - | 2 PLC ± - | 3 PLC ± - | 4 PLC ± - | ANGLES ± - | FINISH - | PRODUCT SPEC - |
| MATERIAL - | | | WEIGHT - | SIZE: A1 | CAGE CODE: 00779 | DRAWING NO: 5221629 | RESTRICTED TO: - |
| CUSTOMER DRAWING | | | | SCALE: 4:1 | SHEET: 1 OF 1 | REV: 0 | |